

1 DAY REMINGTON 870 PUMP ACTION

Introduction

This course is run by Helston trained and authorised armourer instructors at the Helston Forensics Ballistics Training Laboratory. The 1 day course is designed to inform the armourer of the manufacturers standards of inspection, maintenance, servicing and repair of the Remington 870 shot gun, additional issues covered in the course are bore dimensions, barrel repairs, muzzle attachments, chokes, component wear, proof marks, (UK and C.I.P) and modifications.

Agenda

- Health & Safety
- Armourers Responsibility
- Weapon system (method of operation)
- Disassembly & reassembly (advanced)
- Inspection to manufacturers standards
- Gauging and testing
- Parts recommended for Law Enforcement use
- Modified components
- Manufacturers markings & identification codes
- Methods of cleaning and lubrication
- Advanced repairs and special tools
- Tuning and fault diagnostics

Notes

1. This is a CPD related course. This course can contribute to your continuing professional development (CPD) and will be evidenced through a multiple choice summative assessment and the award of a course completion certificate.
2. The course duration is 0900 – 1700 hours.
3. Refreshments and lunch will be provided.
4. The course is available to serving police and military personnel and students who have the authority to handle section 5 weaponry only.



30 class room guns include test guns containing faults that will come to light when the student conducts the correct inspection



New barrels shortened with Rakers fitted



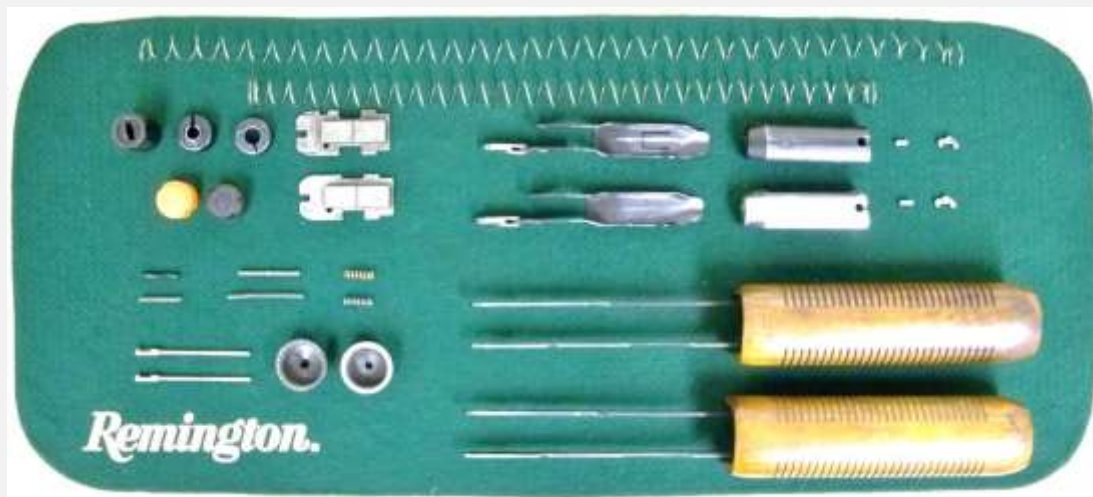
The Remington is available in a variety of configurations, each designed for special customer's needs



Specialist models designed to remain with the user when discarded (using the correct sling position), this is where size matters!



Knowing how to use the armourers tools is as important as having them, being taught by an armourer who uses them to earn a living is a must



Fitting the correct parts for police use to ensure correct function in all conditions is critically important. There is no room for a malfunction when on an operation



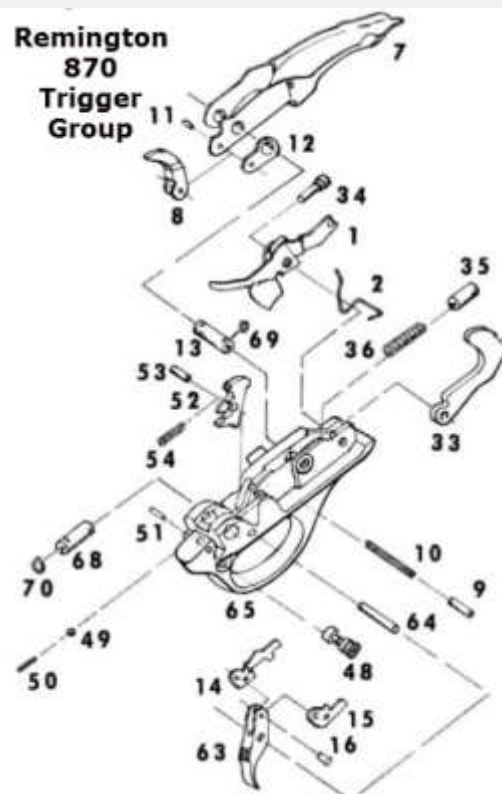
Understanding the function of the mechanism is basic training for the armorer who needs to identify faulty components



Helston manufacture 'rakers' to suit all customers' needs, speak to our design team for a raker to fit your special needs



Instructions on replacing the ejector spring using the correct riveting tool



Trigger Group components

Contact Details

Helston Forensics

Water-Ma-Trout

Helston

Cornwall TR13 OLW

United Kingdom

Tel: +44 (0) 1326 574747

Email: info@helstonforensics.com

